

WORKSTEAD

INSTALLATION INSTRUCTIONS | TINSEL



WORKSTEAD

INSTALLATION INSTRUCTIONS | TINSEL



GENERAL NOTES

This luminaire is UL, cUL, and CE listed for installation in dry or damp locations.

When installing luminaire, conform to all applicable local electrical codes, ordinances, and the National Electrical Code (NEC).

For your safety and proper operation of luminaire, read and understand all instructions completely before commencing installation of this luminaire.

Carefully unpack the luminaire and inspect for damage.

Use the enclosed gloves when handling the luminaire.

This product is rated for one (1) 15W max E12 G16 bulb (or E14 G50 bulb, depending on your location).

Save these instructions for future reference.

CAUTION

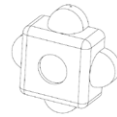
This product should be installed only by a licensed electrician.

WARNING

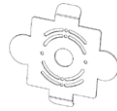
The electricity must be turned off at the main fuse box before installing this luminaire. Turning power off using the light switch may not be sufficient to prevent electrical shock.

Use UL listed wire nuts for all wiring connections in this luminaire. Wrap wire nut connections with UL listed electrical tape.

INCLUDED COMPONENTS FOR INSTALLATION



(1) luminaire body



(1) mounting plate



(1) E12/E14 bulb



(2) 1-1/2" #8 x 32 machine screws



(2) 5/8" #8 x 32 & (2) 3/4" #8 x 32 set screws



(3) wire nuts



(1) Allen wrench

ASSEMBLY AND MOUNTING INSTRUCTIONS

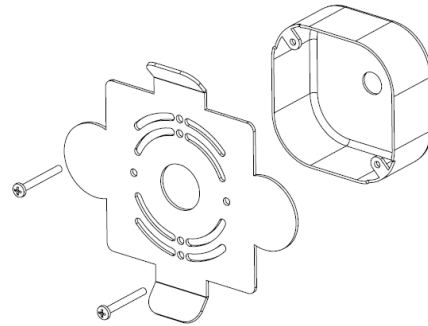
STEP 1 | CUT POWER

Shut off the main electrical supply to the junction box from the fuse box/circuit breaker. Turning power off at the switch is not sufficient.

STEP 2 | ATTACH MOUNTING PLATE

Locate the junction box in the wall. Attach the mounting plate provided to the junction box using the 1-1/2" #8 x 32 machine screws provided. (Fig. 1) NOTE: The set screws installed in Step 4 below will hook onto the bent tabs of the mounting plate. Install the mounting plate to ensure the set screws are in the desired orientation after final installation.

Fig. 1



STEP 3 | CONNECT WIRES

Using the wire nuts provided, make electrical connections by following the electrical configuration table. (Fig. 2) Ensure that all electrical connections are wrapped with UL listed electrical tape.

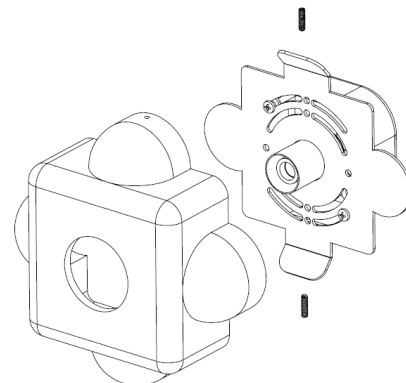
Fig. 2

FROM SUPPLY	TO LUMINAIRE
Connect black or red (hot) house supply circuit wire to:	Luminaire black wire (hot)
Connect white (neutral) house supply circuit wire to:	Luminaire white wire (neutral)
Connect green insulated or bare copper (ground) house supply circuit wire to:	Luminaire bare copper wire (ground)

STEP 4 | SECURE LUMINAIRE BODY

NOTE: 5/8" and 3/4" set screws included for mounting. Utilize the screw that works best for j-box site conditions. Carefully tuck the wiring into the junction box. Using the Allen wrench provided, thread one of the set screws provided into one of the holes in the luminaire body until the set screw is flush with the edge of the luminaire body. Hook the set screw onto one of the mounting tabs on the mounting plate. Allow the luminaire body to rest flush with the wall or hold it flush against the ceiling, depending on your installation location. Thread the second set screw provided into the other hole in the luminaire body until the set screw is flush with the edge of the body. (Fig. 3)

Fig. 3



STEP 5 | INSTALL BULB

Install the bulb provided. Return power to the luminaire to confirm proper function. If further work is needed, be sure to turn off power to luminaire before proceeding.